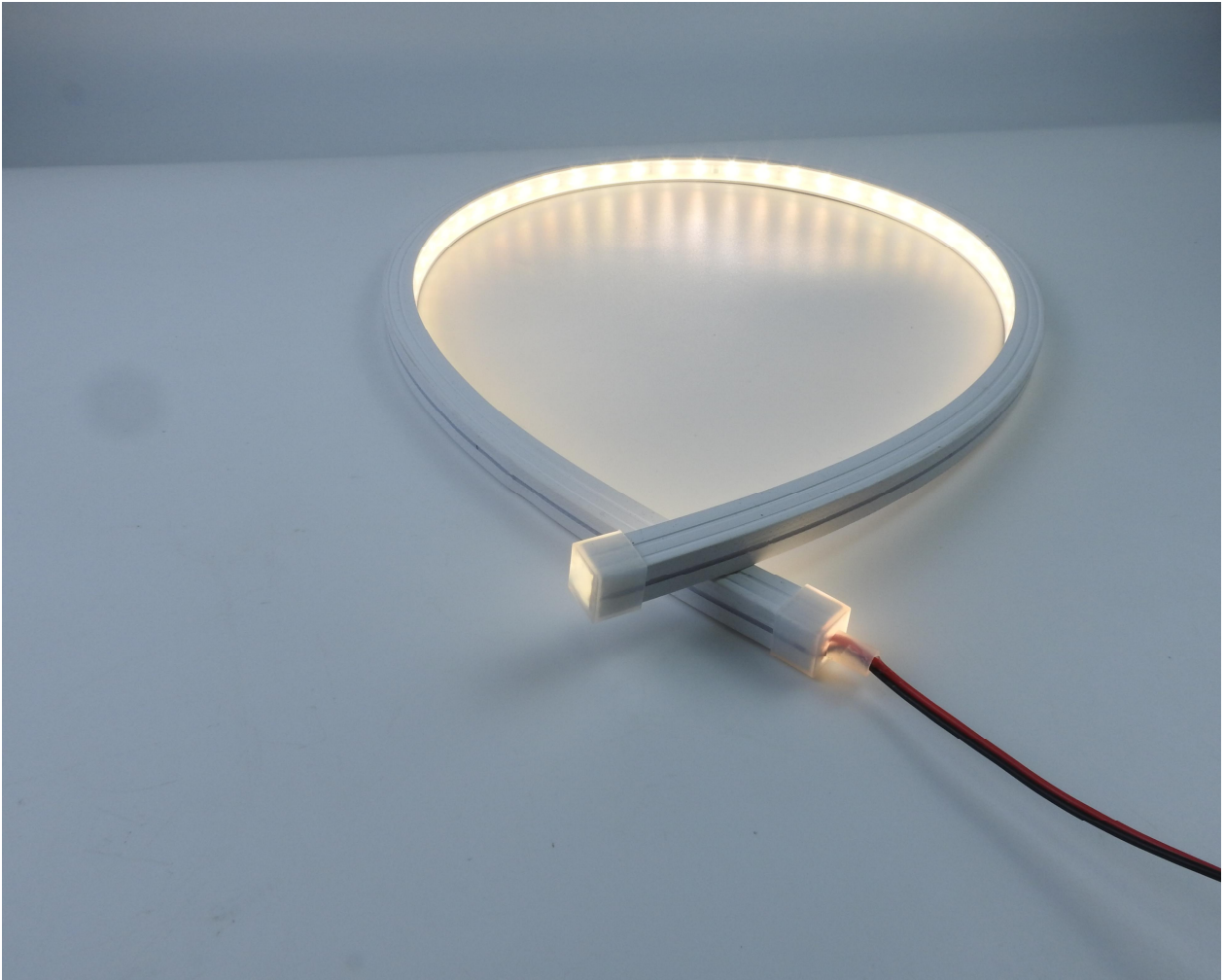


**BEAMFLEX 2835 LED STRIP (45°x55°WALL WASHER J025)****(10mm 24VDC 56LED/meter 17W/meter CRI>90)****Features**

- 1, Can replace the traditional LED strip to achieve the effect of wall-washing
- 2, Structural patent technology
- 3, Silicone extrusion technology
- 4, RTR (R2R, Roll to Roll) manufacturing process
- 5, 5 years warranty
- 6, Dimmable
- 7, Optic lens:45°x55°

## Application

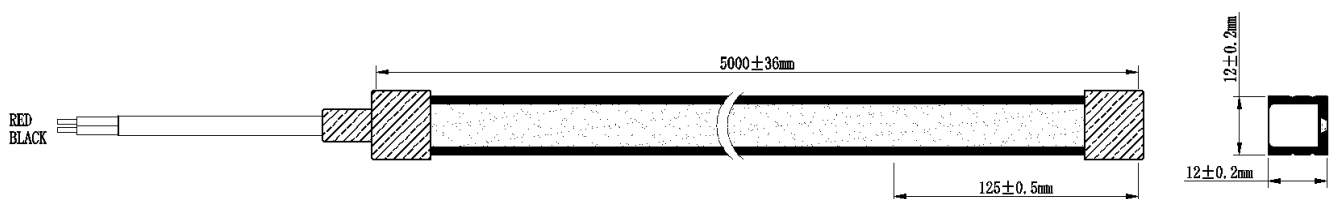
- 1, Residential lighting
- 2, Display cabinet lighting
- 3, Hotel and club lighting
- 4, Shop boutique lighting
- 5, Corridor reception lighting



## Normative requirement

- 1, Photobiological safety: IEC 62471
- 2, Ingress Protection: EN 60529
- 3, Safety Requirement: EN 62031 IEC 60598-1
- 4, EMC/radio disturbance characteristics: EN 55015
- 5, RoHS: Yes
- 6, CE: Yes

## Dimension



## Photoelectric parameters

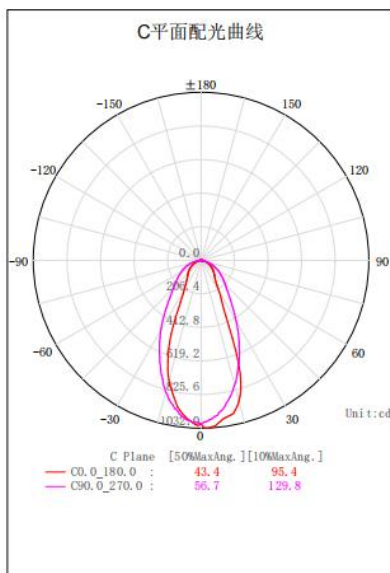
Part No.	V/ DC	Pow. (W/m)	CCT	CRI	LM/M	LM/W	SDCM
RTR-CAA24-6930	24	17	3000K	90	986	58	≤5
RTR-CAA24-6940	24	17	4000K	90	1105	65	≤5
RTR-CAA24-6965	24	17	6500K	90	1105	65	≤5

## Technical parameters

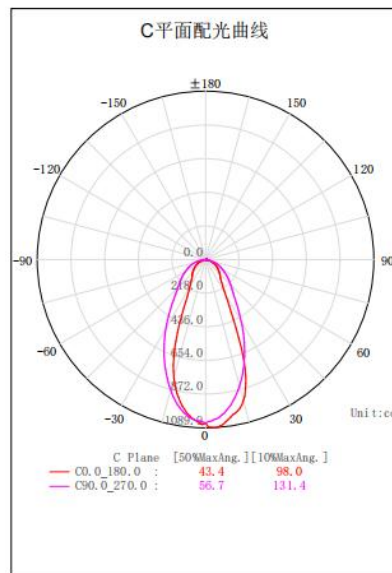
LED/m	Minimum cut length (mm)	Maximum run length (mm)	Ambient temperature	Operating temperature	Storage temperature	IP rating
56	125	5000	-20 ... + 40°C	-20 ... + 80 °C	-35 ... + 80°C	66

## Light distribution(cd)

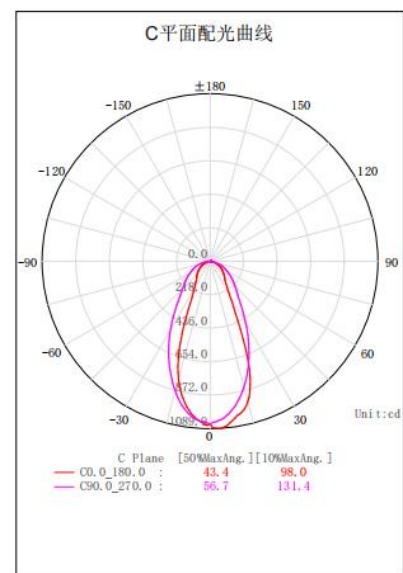
Beam angle(2Xθ1/2): 45°x55°



3000K

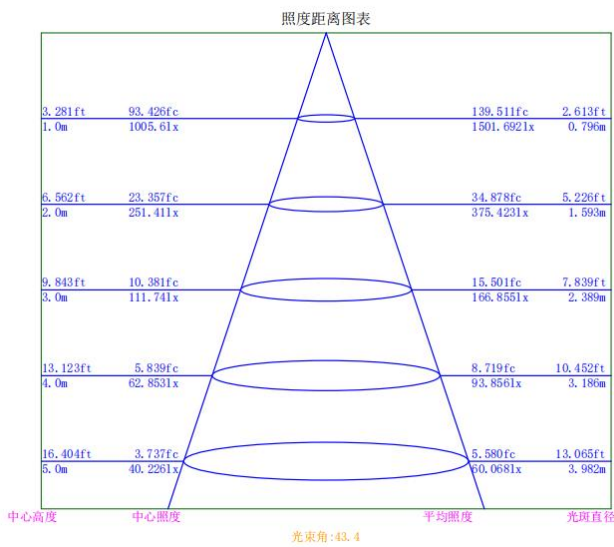


4000K

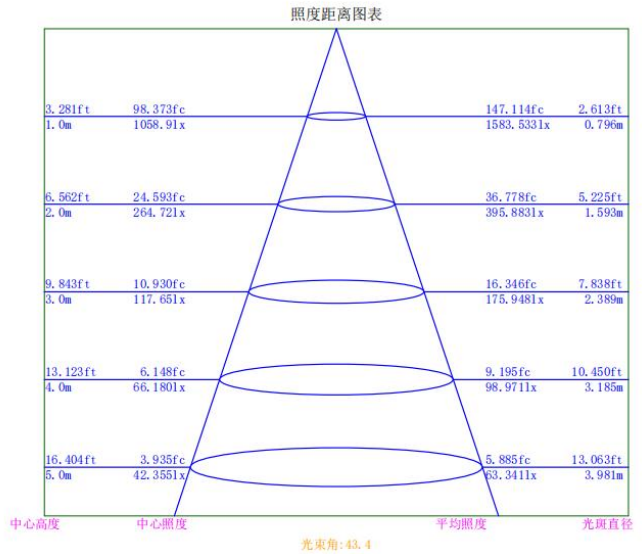


6500K

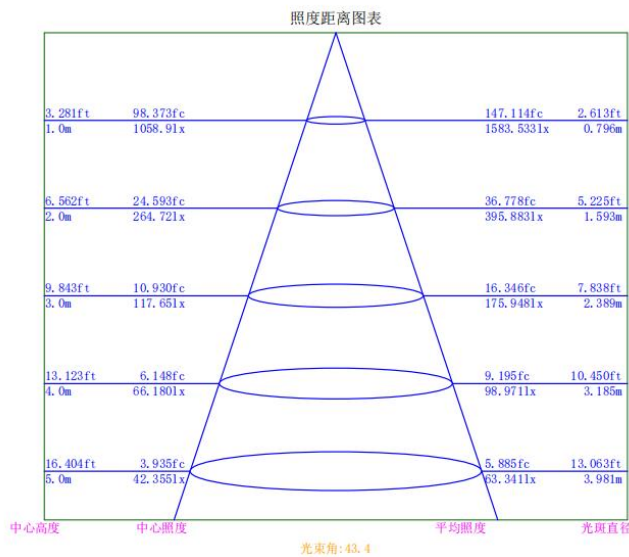
## Lux diagram



3000K



4000K

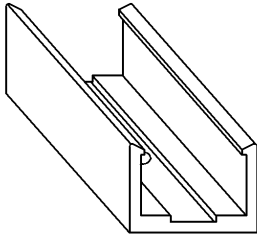


6500K

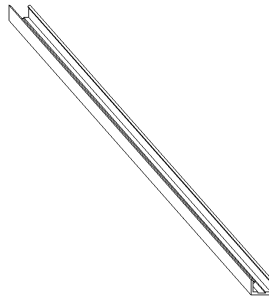
## Working length and recommended power supply relationship

Part No.	Working length (mm)	Voltage (VDC)	Current (A)	Power consumption (W)	Recommended power supply (W)	Power supply mode
RTR-CAA24-69xx	1000	24	0.7	16.8	20	Single end
RTR-CAA24-69xx	5000	24	2.9	69.6	96	Single end

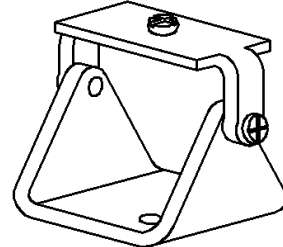
## Accessories



11600002



11600001



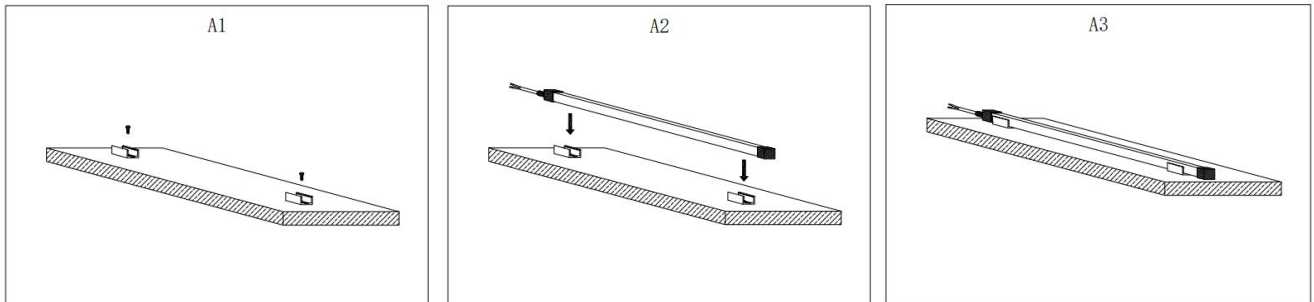
11600003

## Installation

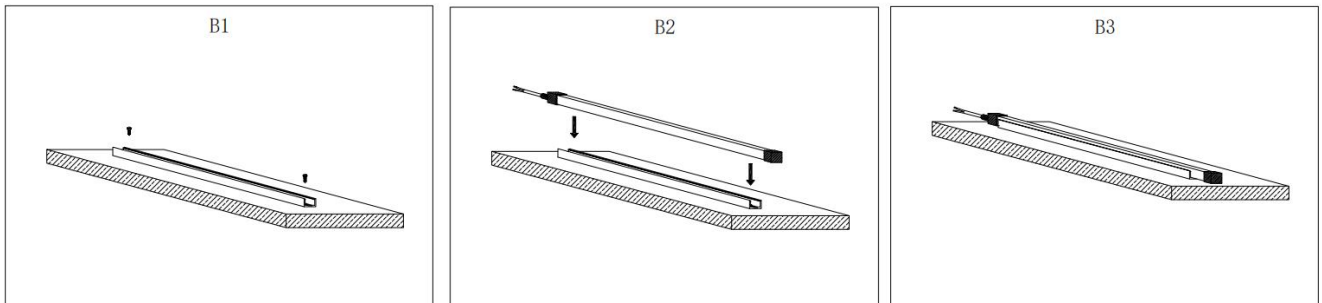
Installation number	Installation	Installation Steps	Description
A	Flexible LED strips and Clip installation	A1	Lock the clip firmly with a self-tapered screw.
		A2	The flexible LED strip is fixed in the clip, light-emitting area face up.
		A3	Finished
B	Flexible LED strips and aluminium profile installation	B1	Lock the aluminium profile firmly with a self-tapered screw.
		B2	The flexible LED strip is fixed in the aluminium profile, light-emitting area face up.
		B3	Finished

C	Flexible LED strips , aluminium profile and Adjustable Angle Base installation	C1	Lock the aluminium profile and adjustable angle base with Machine tooth screws
		C2	The flexible LED strip is fixed in the aluminium profile, light-emitting area face up.
		C3	Flexible LED strips fixed.
		C4	Lock the adjustable angle base with self-tapered screws, Adjust the rotation angle of the adjustable angle base as needed.

A)

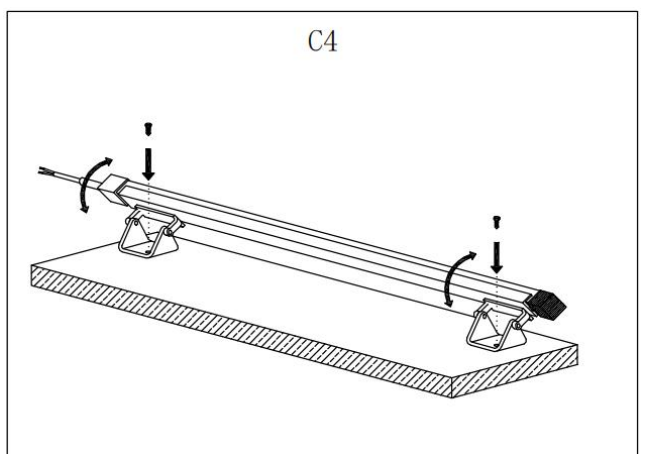
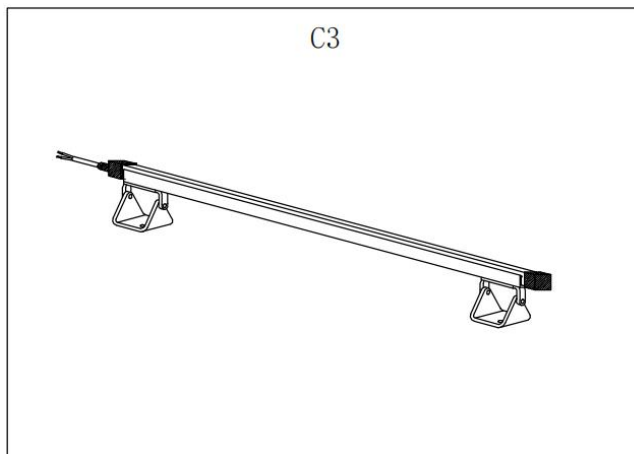
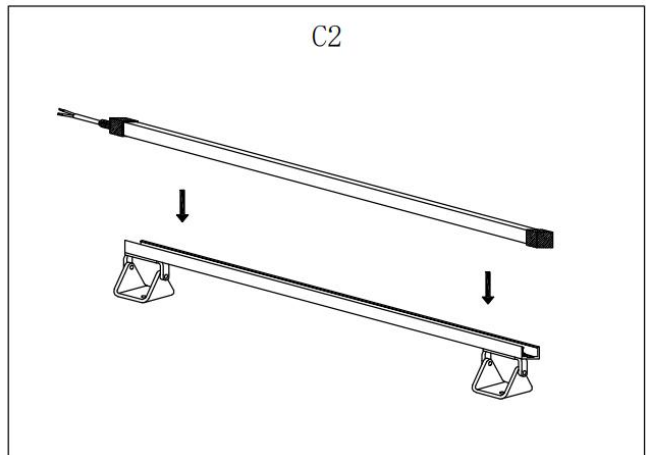
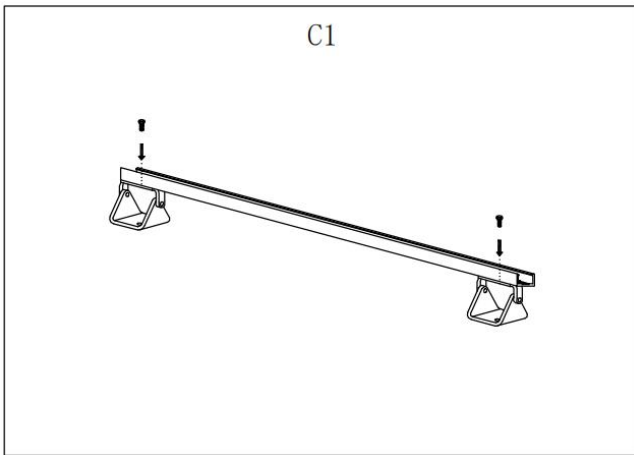


B)

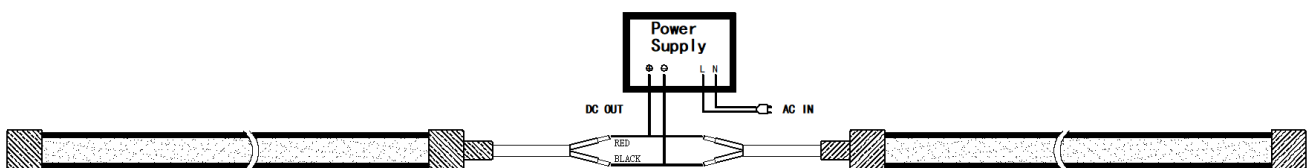
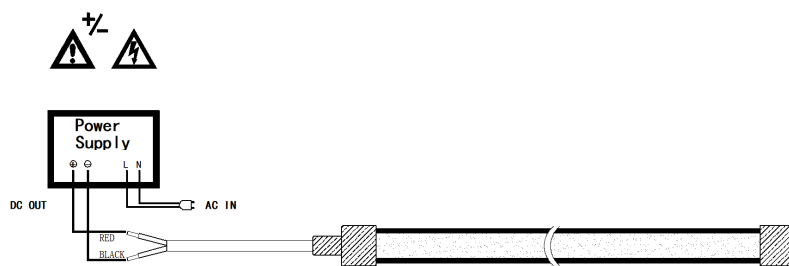




C)



## Wiring diagram



## Reliability testing

No:	Name	Test condition	Standards
1	High and low temperature cycle test	-40℃, 1Hrs; 60℃, 1Hrs; 4 hours per cycle; continuous testing occurred for 168 hours.	IEC60068-2-14 IES LM-79
2	High temperature lighting test	60℃, continuous testing occurred for 336 hours.	IEC60068-2-2 IES LM-79
3	Normal temperature aging test	TH=25℃, continuous lighting	RTR
4	Ultraviolet(UV) aging test	Irradiance: 0.89W/m <sup>2</sup> , 60±3℃, 8Hrs; dark, high humidity (water spray) for 4 hours, 50±3℃ cycle test; continuous testing occurred for 500 hours.	ASTM-G154 IES LM-79
5	Bending test	Wrap the product around a 10cm diameter round tube, -40℃,20Hrs; 60℃,20Hrs	RTR
6	Twisting test	Install the 0.5-meter-long product on the twist machine with a twisting angle of 720°and 2,000 times.	RTR

## Package



Single bag size(mm)	Carton box size(mm)	Meter / bag	Bags / carton	GW. ±5% (Kg)
400x380x14	440x400x420	5	25	23.04



**Cautions**

- 1, The LED module itself and all its components may not be mechanical stressed. Do not modify or disassemble product beyond instructions.
- 2, This product is intended to be installed by qualified, licensed electricians in accordance with electrical code regulations.
- 3, Only install with a suitable DC Constant Voltage power supply with right parameters of current and power.
- 4, The minimum bending radius is 50 mm.

**Modified history**

Version	Checked	Mark	Date
V00	Jack	First release	2023.02.24